

▼ Shown from left to right: RSM1000, RSM300, RSM50, RCS1002, RCS302



RSM-series, Low-Height Cylinders

- Compact, flat design for use where most other cylinders will not fit
- Single-acting, spring return
- RSM750, 1000 and 1500 have handles for easy carrying
- Mounting holes permit easy fixturing
- Baked enamel finish for increased corrosion resistance
- CR400 coupler and dust cap included on all models¹⁾
- Hard chrome plated high quality steel plungers
- Grooved plunger ends require no saddle.

RCS-series, Low-Height Cylinders

- Lightweight, low profile design for use in confined spaces
- Single-acting, spring return
- Baked enamel finish for increased corrosion resistance
- Plunger wiper reduces contamination, extending cylinder life
- CR400 coupler and dust cap included on all models
- Grooved plunger end with threaded holes for mounting tilt saddles
- Integral handle on RCS1002 for easy carrying
- Plated steel plungers.

Maximum Power-to-Height Ratio



Saddles

All RCS-Series cylinders have plunger mounting holes for installation of tilt saddles. See table for selection and dimensional information.

Page: 27

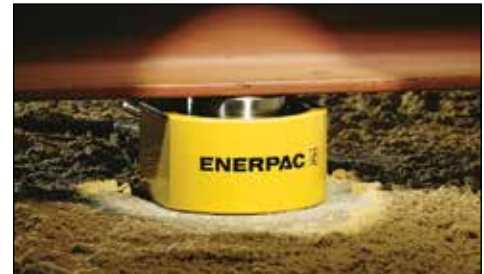


Low Clearance Lifting

The LW-Series Lifting Wedges and SOH-Series Machine Lifts are the perfect choice for lifting the first few millimeters.

Page: 182

▼ Only a couple of centimeters will do for an RSM-cylinder to lift a large construction.

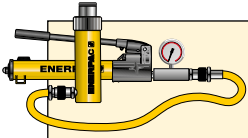


Cyl. Capacity	Stroke	Model Number	Cylinder Effective Area	Oil Capacity
ton (kN)	(mm)		(cm ²)	(cm ³)
5 (45)	6	RSM50 ¹⁾	6,5	4
10 (101)	11	RSM100 *	14,5	18
20 (201)	11	RSM200 *	28,7	32
30 (295)	13	RSM300 *	42,1	55
45 (435)	16	RSM500 *	62,1	99
75 (718)	16	RSM750	102,6	164
90 (887)	16	RSM1000	126,7	203
150 (1386)	16	RSM1500	198,1	317
10 (101)	38	RCS101 *	14,5	55
20 (201)	45	RCS201 *	28,7	129
30 (295)	62	RCS302 *	42,1	261
45 (435)	60	RCS502 *	62,1	373
90 (887)	57	RCS1002 *	126,7	722

¹⁾ RSM50 is fitted with an AR400 coupler.

* Available as set, see note on next page.

Single-Acting, Low-Height Cylinders



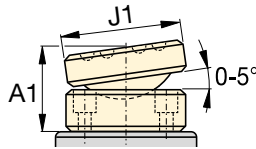
Cylinder-Pump Sets

All cylinders marked with an * are available as sets (cylinder, gauge, couplers, hose and pump) for your ordering convenience.

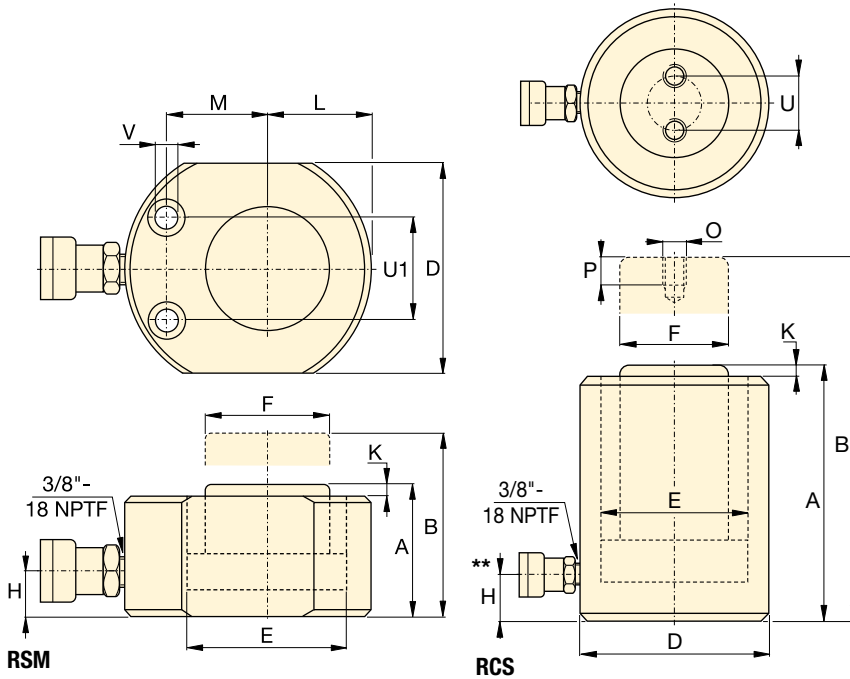
Page: **62**

Optional Bolt On Tilt Saddle Dimensions (mm)

For Cylinder Model:	Model Number	J1	A1 *
RCS101	CATS13	35	20
RCS201, 302, 502	CATS53	50	26
RCS1002	CATS103	71	35



* A1 = Addition to Collapsed Height.



RSM, RCS Series



Capacity:

5 - 150 ton

Stroke:

6 - 62 mm

Maximum Operating Pressure:

700 bar



Power Box

Tool box with hand pump, gauge adaptor assembly, hose and RSM or RCS-cylinders.

Page: **65**

RSM Cylinder Mounting Hole Dimensions (mm)

Model Number	Bolt Circle U1	Hole Dia. V	Counter Bore Dia.	Counter Bore Depth
RSM50	28,5	5,5	9,1	4,3
RSM100	36,6	7,1	10,7	7,9
RSM200	49,3	10,0	15,1	9,9
RSM300	52,3	10,0	15,9	11,2
RSM500	66,5	11,0	19,0	12,7
RSM750	76,2	13,5	20,6	14,2
RSM1000	76,2	13,5	20,6	14,2
RSM1500	117,3	13,5	20,6	14,2

Collapsed Height A (mm)	Extended Height B (mm)	Outside Diameter D (mm)	Cylinder Bore Dia. E (mm)	Plunger Dia. F (mm)	Base to Advance Port H (mm)	Plunger Protrusion from Base K (mm)	Plunger to Base L (mm)	Plunger to Mtg. Hole M (mm)	Thread O (mm)	Thread Depth P (mm)	Bolt Circle U (mm)	Weight (kg)	Model Number
32	38	58 x 41	28,7	25,4	16	1	20	22	-	-	-	1,0	RSM50 ¹⁾
43	54	82 x 55	42,9	38,1	19	1	27	34	-	-	-	1,4	RSM100 *
51	62	101 x 76	60,5	50,8	19	1	39	39	-	-	-	3,1	RSM200 *
58	71	117 x 95	73,2	63,4	19	2	47	44	-	-	-	4,5	RSM300 *
66	82	140 x 114	88,9	69,8	19	2	57	53	-	-	-	6,8	RSM500 *
79	95	165 x 139	114,3	82,6	19	2	69	66	-	-	-	11,3	RSM750
85	101	178 x 153	127,0	92,2	19	2	76	74	-	-	-	14,5	RSM1000
100	116	215 x 190	158,8	114,3	23	2	95	82	-	-	-	26,3	RSM1500
88	126	69	42,9	38,1	17	5	-	-	M4	8	26	2,7	RCS101 *
98	143	92	60,5	50,8	17	3	-	-	M5	8	40	5,0	RCS201 *
117	179	101	73,2	66,5	19	3	-	-	M5	8	40	6,8	RCS302 *
122	182	124	88,9	69,8	23	2	-	-	M5	8	40	10,0	RCS502 *
141	198	165	127,0	92,2	31	1	-	-	M8	10	55	20,7	RCS1002 *

** 5° angle position of coupler on RCS101, 201, 302.