

minifor[®]

portable electric hoists with unlimited height of lift

CE



HIGH QUALITY

LIGHTWEIGHT

MULTIPURPOSE

POWERFUL



minifor[®]

- ❖ A complete range of electric hoists for a wide range of applications
- ❖ Portable and powerful for unlimited heights of lift
- ❖ Rated load 220 lbs (100 kg) to 1000 lbs (455 kg) which can even be doubled by a sheave kit
- ❖ Unlimited height of lift
- ❖ Unloaded wire rope freely suspended or optional rope reeler
- ❖ Pendant control
- ❖ Direct lift or sheaving kit for increased capacity
- ❖ Single phase or 3 phase motor
- ❖ 110V standard

QUALITY & POWER

- ❖ High power to weight ratio
- ❖ Body in aluminium alloy
- ❖ Unlimited length of lifting wire rope
- ❖ Wire rope, dia. 0.25 in. (6.5 mm)

SAFETY

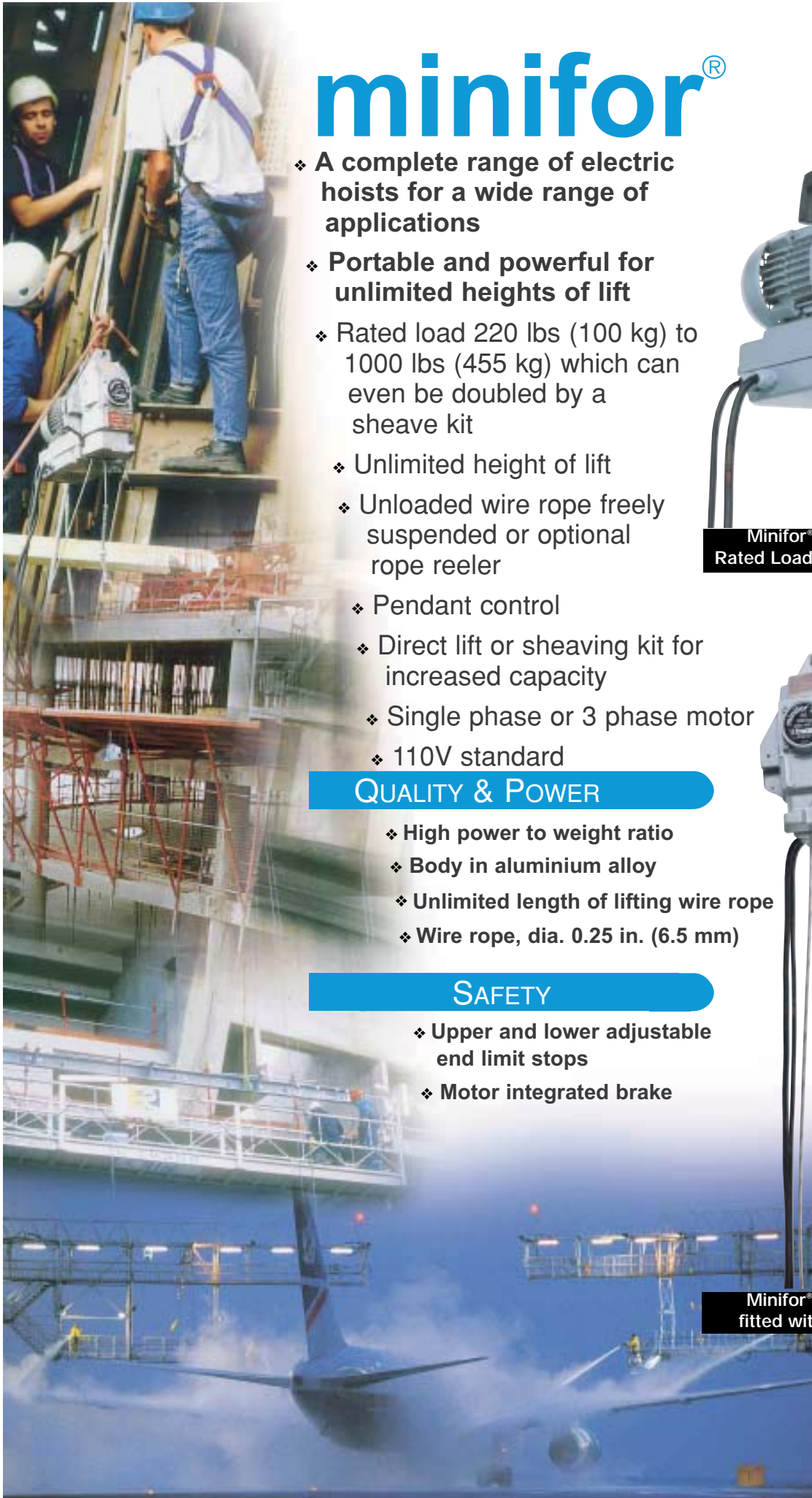
- ❖ Upper and lower adjustable end limit stops
- ❖ Motor integrated brake



Minifor[®] TR10 - TR30
Rated Load 220 lbs - 660 lbs



Minifor[®] TR10 - TR30
fitted with sheaving kit





Minifor® TR30S - TR50
Rated Load 660 lbs - 1000 lbs



ERGONOMIC DESIGN

Compact, easy to handle and lightweight, the minifor® range is an ideal tool for many applications on construction sites.

- ❖ Integrated carrying handle
- ❖ Quick and easy to install
- ❖ Swivel suspension hook

STANDARDS

- ❖ In accordance with: **CE**
 - ANSI ASME B30.16
 - European standard EN 292
- ❖ Technical Data
- ❖ Operating and maintenance manual



Minifor®
fitted with wire rope reeler

minifor®

GENERAL SPECIFICATION

- ❖ IP55 protection, weatherproof
- ❖ Double insulated push button control box with emergency stop
- ❖ Thermal protection of motors
- ❖ 0.25 in.(6.5 mm) dia. wire rope; minimum breaking strength 5500 lbs (2500 daN); weight per foot: 0.11 lbs (0.05 kg).

MODELS	DIMENSIONS	WEIGHT LBS	RATED LOAD		SPEED		POWER			STANDARD	
	LXWXH INCHES		DIRECT LBS	SHEAVED LBS	DIRECT FT./MIN.	SHEAVED FT./MIN.	1 PHASE 110 V	1 PHASE 220 V	3 PHASE 220 V	WIRE ROPE LENGTH	
									65 FT.	35 FT.	
TR 10	14x9x17	46	220	441	50	25	❖	❖		❖	❖
TR 30	14x9x17	46	660	1320	17	8.5	❖	❖		❖	❖
TR 30S	19x9x17	71	660	1320	43	21	❖	❖	❖		
TR 50	19x9x17	71	1000	2000	23	11.5	❖	❖	❖		



minifor® TR 10 - TR 30

With its simple and efficient design the minifor range makes it easy for you to choose the right hoist for your applications.

These two versions give you :

- unlimited length of hoist cable, adapted to the requirement
- light, easy to handle aluminium alloy design
- integral handle for easy carrying
- suitable for building sites, fast setup
- efficient operation with swivelling suspension hook
- extremely good weight/power ratio
- reduced maintenance
- quiet operation (70 dB)
- operational safety :
 - upper and lower limit switches
 - brake motor
 - pendant control with emergency stop
 - CE socket

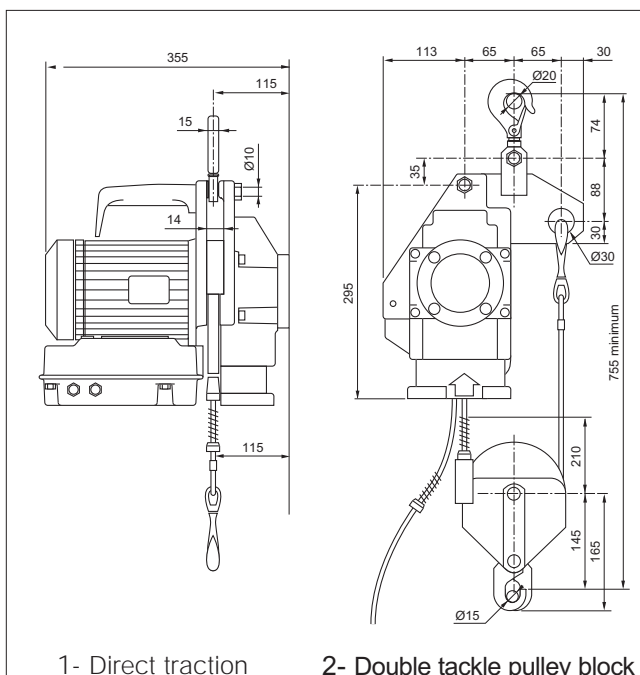
Conform to European directive no. 89/392 - 91/368 - 93/44 - 93/68 - 89/336 and to standards EN 50 081-2 and 50 082-2.

Options :

- Spring cable reel, capacity 20 m and 40 m
- 9m/min 3-phase version, 48 VAC control, 0.55 kW motor (TR30 only) - diagram n°1
- Special motors
- Long power supply and remote control cables
- Pulley block kit - diagram n°2
- Self-locking hook
- Radio remote control with «lift/lower» function

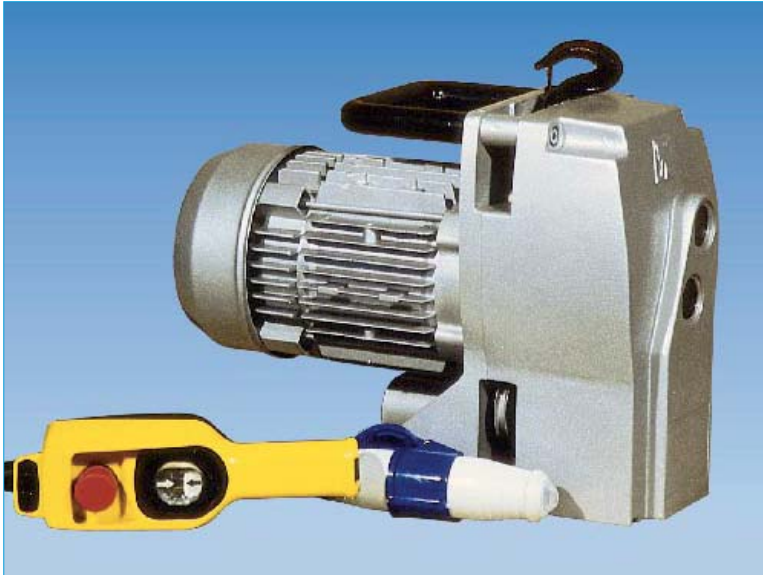


Model	unit	TR 10	TR 30
Hoisting capacity	kg	100	300
Hoisting speed	m/min	15	5 single ph. 9 - 3 phase
Weight of hoist	kg	20	20.2
Dimensions mm	mm	355x420x180Cable diameter 5	
Cable weight (per m)	kg	0.105	
Motor power single phase	kW	0.37	
3-phase	kW	0.55	
Cable breaking load factor 5	kg	1500	
Power supply single 3-phase		115 V - 50 & 60 Hz - 230 - 50 Hz 230- 400 V - 50 Hz	
Operating factor	%	40	
Double insulated control pendant		IP 65 - 3 controls	
Degree of protection		IP 55	
Current with brake motor	A	7.5 at 115 V - 50 Hz single phase 9 at 115 V - 60 Hz single phase 4 at 230 V - 50 Hz single phase 1.8 at 400 V - 50 Hz 3-phase	



minifor® TR 30S - TR 50

Have been designed to be compatible with the new techniques for high level building sites, to provide you with the best service :



- integral handle for easy carrying
- unlimited length of hoist cable, adapted to the requirement
- suitable for building sites, fast setup
- efficient operation with swivelling suspension hook
- extremely good weight/power ratio
- reduced maintenance

operational safety :

- upper and lower limit switches
- brake motor
- pendant control with emergency stop



«France Stade» building site

Conform to European directive no. 89/392 - 91/368 - 93/44 - 93/68 - 89/336 and to standards EN 50 081-2 and 50 082-2.

Model	unit	TR 30S	TR 50
Hoisting capacity	lb	660	1000
Hoisting speed	fpm	43	23
Weight of hoist	lbs	71	71
Dimensions of hoist	mm	427x200x412	
Cable diameter	mm	1/4"(6.5mm)	
Cable weight (per m)	kg	0.170	
Motor power			
single phase	kW	1.1	
3-phase	kW	1.1	
Cable breaking load factor 5	kg	2500	
Power supply single		115 V 60 Hz 220/1ph. 60 Hz	
Operating factor	%	40	
Double insulated control pendant		IP 65 - 3 controls	
Degree of protection		IP 55	
Current with brake motor	A	20 at 115 V- 60 Hz single phase 10 at 220 V- 60 Hz single phase	

